

CDM

CDM-ISO-MACHINE-CONTACT

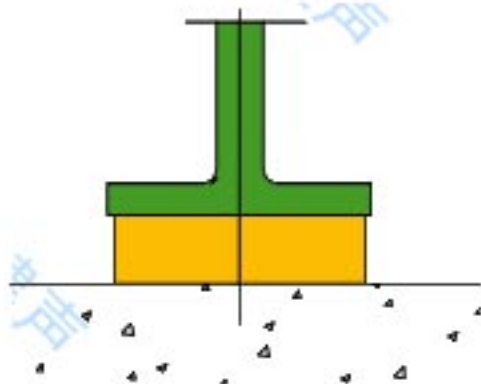
CDM-ISO-MACHINE-CONTACT offers a simple and cost effective means of providing vibration and impact isolation to machines such as compressors, pumps, ventilation units, refrigeration units etc....

The system consists either of pads, strips, mats (CDM-SOLIDS), steel spring isolators (CDM-SPRINGS) or air cushions (CDM-AIR CUSHIONS) that sit directly beneath the supports of the machine.

The system can be tuned to any frequency of 1Hz or more

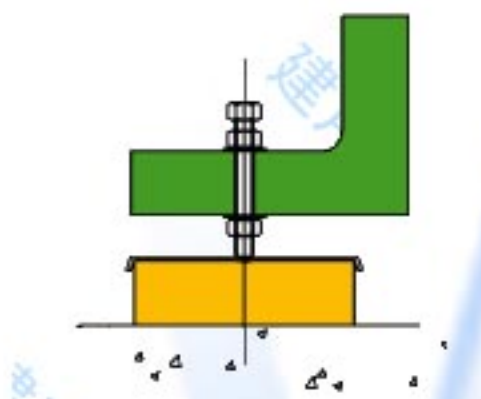
Required data for design:

- 1 Load distribution
- 2 Speed of machine
- 3 Dimensional limits
- 4 Vibration isolation performance
- 5 Special requirements (temperature, oil, etc...)



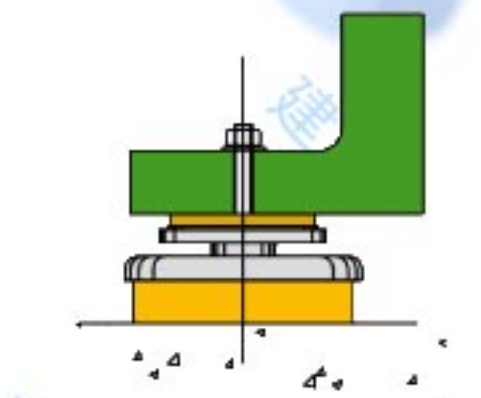
TYPE A

No horizontal forces



TYPE B

Very low horizontal forces
Tunable in height



TYPE C

Low horizontal forces
Tunable in height



Setup with springs



Setup with pads



Setup with air cushions

THE SYSTEM IS A CUSTOMIZED DESIGN TO SUIT PROJECT SPECIFIC REQUIREMENTS AND CRITERIA